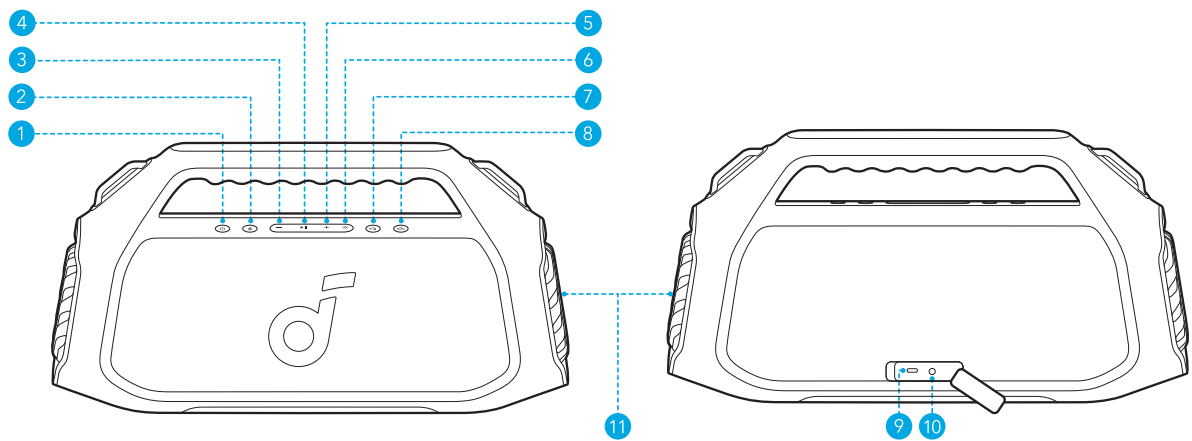
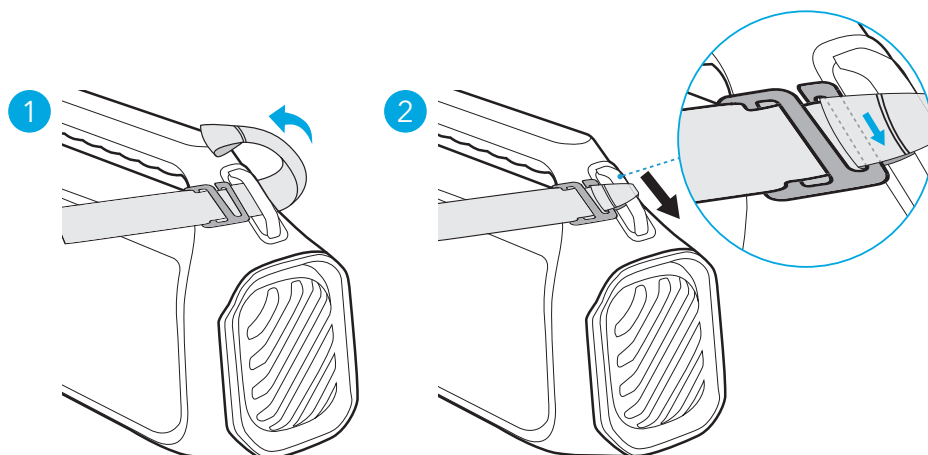


At a Glance



1	Power Button	7	PartyCast Button
2	Bluetooth Button	8	BassUp 2.0 Button
3	Volume Down Button	9	Type-C Charging Port
4	Play/Pause Button	10	AUX Input
5	Volume Up Button	11	LED Light
6	LightShow Button		

Installing the Strap

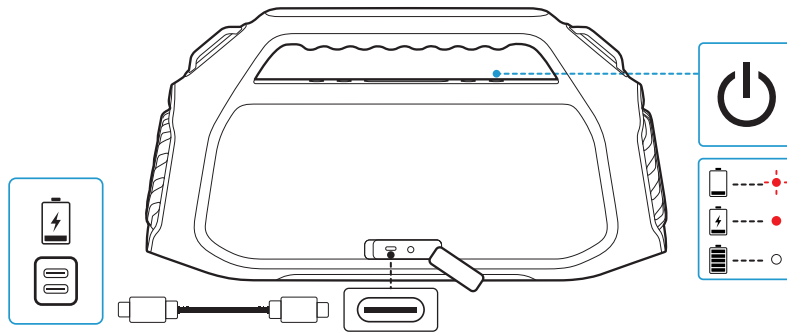


- Attach the strap to both sides of the handle.

Charging

Charging Your Speaker

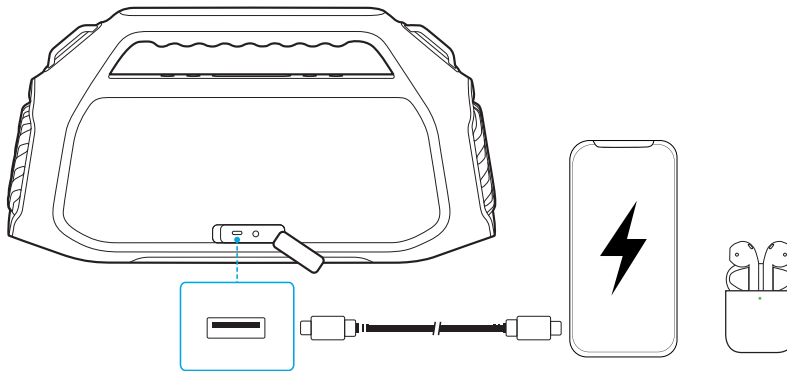
- Use a certified C-C cable and charger to prevent any damage.



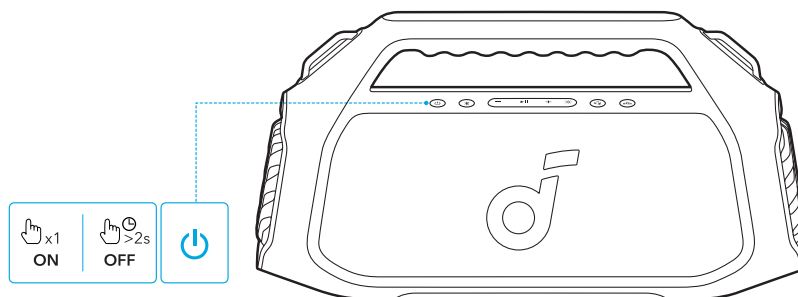
	Flashing Red	Low Battery
	Steady Red	Being Charged
	Steady White	Fully Charged

Charging External Devices

- Use this speaker as a power bank to charge your portable devices or accessories.



Powering On/Off



	Press or Press and Hold for 2 Seconds	Power On
	Steady White	
	Press and Hold for 2 Seconds	Power Off
	Light Off	

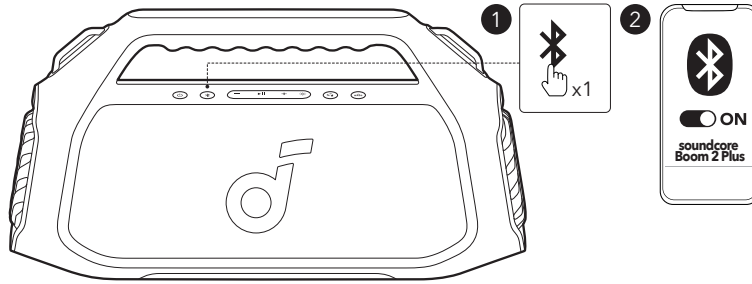


- This speaker will automatically power off after 20 minutes of no audio input.
- You can also set an auto-power-off time in the soundcore APP.

Using Your Speaker

Bluetooth Mode

Press the Bluetooth button to enter Bluetooth pairing mode, then select "**soundcore Boom 2 Plus**" from the Bluetooth list to connect.



	Press	Enter Bluetooth Pairing Mode
	Flashing Blue	Bluetooth Pairing
	Steady Blue	Bluetooth Connected

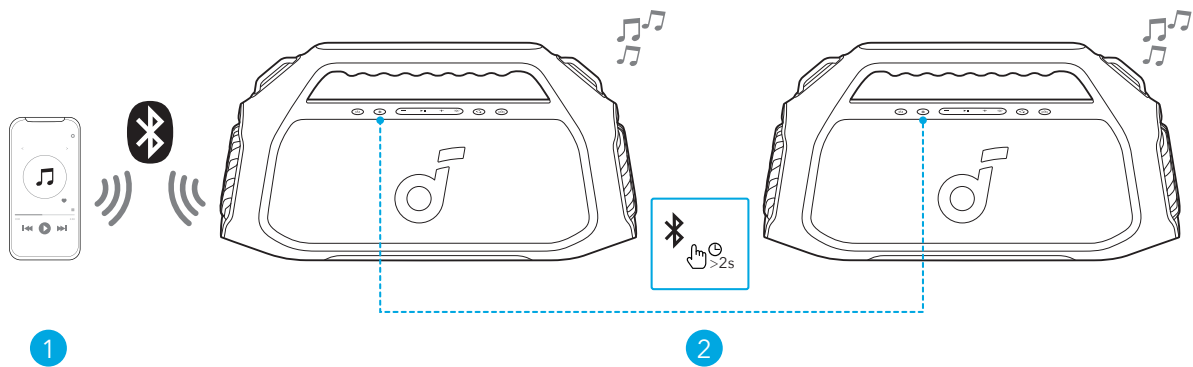


- To re-enter Bluetooth pairing mode, press the Bluetooth button once.
- This speaker can only play music on one mobile device at a time. To play from another connected device, pause the device that's currently active first.
- Each time you power on your speaker, it will automatically connect to your last connected device if available within the Bluetooth range. If not, press the Bluetooth button to enter Bluetooth pairing mode.

TWS (True Wireless Stereo) Mode

Two identical soundcore speakers can pair with each other for stereo sound. Both speakers can play the same audio (one as the left channel and the other as the right channel).

With one speaker connected to a smartphone, press and hold the Bluetooth button for 2 seconds on two speakers to enter TWS pairing mode.



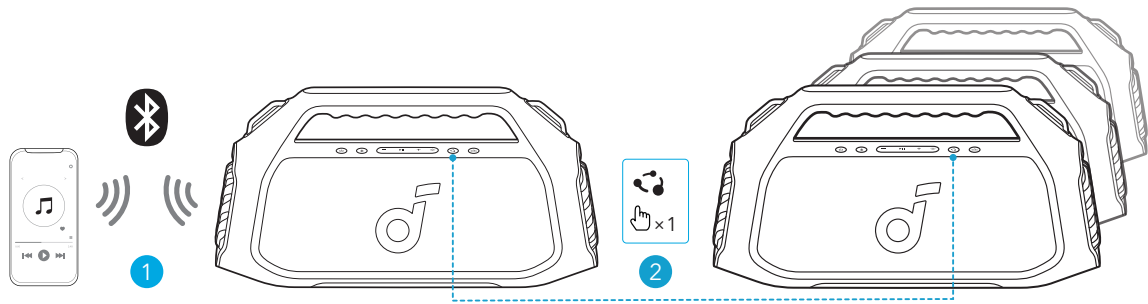
	Press and Hold for 2 Seconds	Enter / Exit TWS Pairing Mode
	Flashing White	TWS Pairing
	Steady Blue (Speaker 1)	TWS Connected
	Steady White (Speaker 2)	



To exit TWS mode, press and hold the Bluetooth button for at least 2 seconds.

PartyCast Mode

With one speaker connected to a smartphone, press the PartyCast button on up to 100 soundcore speakers with PartyCast function to synchronize audio and light.

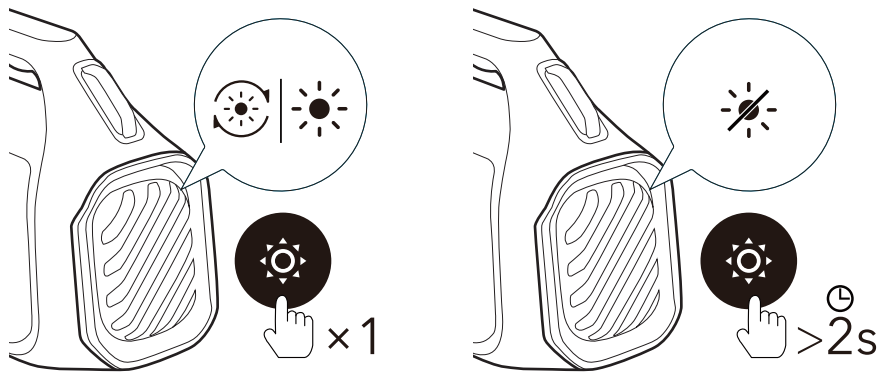


	Press	Enter / Exit PartyCast Pairing Mode
○	Steady White	PartyCast Pairing
○	Steady White	PartyCast Connected



soundcore speakers with PartyCast function can also be connected with this speaker.

LightShow



	Press Once or Press Again	Turn Light On/Switch Light Effects
	Press and Hold for 2 Seconds	Turn Off

Button Controls

	Press	Power On
	Press and Hold for 2 Seconds	Power Off
	Press	Enter Bluetooth Pairing Mode
	Press and Hold for 2 Seconds	Enter / Exit TWS Pairing Mode
	Press	Volume Up / Down
	Press	Enter / Exit PartyCast Pairing Mode
	Press	Turn BassUp 2.0 On / Off
	Press	Play / Pause
	Press Twice	Next Track
	Press Three Times	Previous Track
	Press Once or Press Again	Turn Light On/Switch Light Effects
	Press and Hold for 2 Seconds	Turn Off

soundcore App

Download the soundcore app to enhance your experience.



Google Play and the Google Play logo are trademarks of Google Inc.



Apple and the Apple logo are trademarks of Apple Inc.



Product information: Check the product name and software version, or read the user manual.

Firmware update: You will be informed once a new version of firmware is detected when you connect the speaker with the app.

Battery status: Indicates the remaining battery level of your speaker.

Volume control: Adjust the volume level via the app without pressing the buttons on the speaker.

EQ settings: There are various preset EQ settings you can choose from in the app to optimize your experience while enjoying different music genres. soundcore Signature: Standard EQ mode optimized for well-balanced sound.

- **soundcore Signature:** Standard EQ mode optimized for well-balanced sound.
- **Voice:** Voices stand out more clearly from other ambient sounds.
- **Treble Boost:** High frequencies are enhanced.
- **Balance:** No enhancement for high-frequency and low-frequency sounds.

Set auto-power-off time: Set an auto-power-off time. The speaker will automatically power off when the time is up.

Voice prompt: Mute or restore the voice prompt while powering on/off.

Reset

Press and hold the Bluetooth button and volume up button simultaneously for at least 4 seconds to reset the speaker.

Specifications

Charge Input	5V==3A, 9V==3A, 15V==2A, 20V==1.5A
Charge Output	5V==2A
Battery Capacity	7500mAh/7.3V
Audio Output Power	100W, Up to 140W
Speaker Driver	Woofer: 4.5 inch x 2, 50W Tweeter: 0.75 inch x 2, 20W
Frequency Response	40Hz-20kHz
Charging Time	3 hours (with 30W input)
Play Time (varies by volume level and music content)	20 hours
Waterproof Level	IPX7
Bluetooth Version	Bluetooth 5.3
Bluetooth Range	100m

Hereby, Anker Innovations Limited declares that this device is in compliance with The Product Security and Telecommunications Infrastructure (Security Requirements for Relevant Connectable Products) Regulations 2023.

For the Statement of Compliance, visit the website:

<https://uk.soundcore.com/pages/psti-related>.